

# AQ-Control, type NS4-S

Auditorium control with 4 pushbutton functions

Order-No.: 50.13.113

The NS 4-S is suitable for the common control of up to 200 electronic ballasts or transformers with 1-10 V interface.

The 4 pushbuttons have the following functions:

- Brighter - Lighting goes within the set fade time into its brightest level
- Darker - Lighting goes within the set fade time into its lowest level.
- Stop - Lighting stops during the fade time into bright or dark.
- Preset - Lighting goes into the set light level. This light level can be set with a preset potentiometer at the panel face of the dimmer. This level is achieved within the set fade time.



## Fade time setting

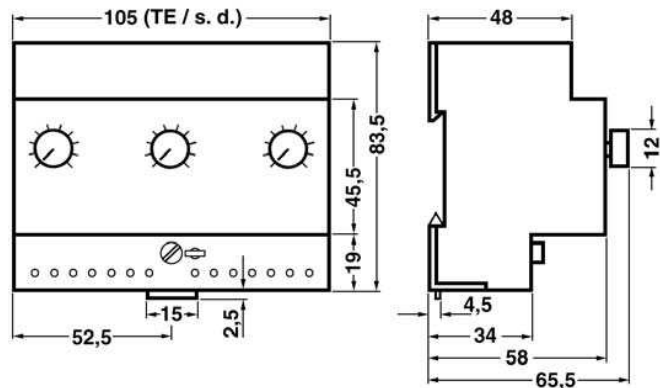
With 2 potentiometers 'BRIGHTER' or 'DARKER' at the panel face of the NS4-S the time from the darkest to the brightest level and vice versa can be set within 3 and 60 secs. respectively.

ON/OFF switching can be made with external relays or contactors.

## Technical data:

Characterization	Auditorium dimming control type NS4-S
Type	: NS4-S
Order-no.	: 50.13.113
Operational voltage	: 230V, 50/60 Hz
output voltage	: 1...10V <b>No protective low-voltage</b> (Basic isolation acc. to IEC 664,10/92)
max. Output current	: approx. 200mA
Protection	: external 6 A
Ambient temperature	: max. 45°C with natural air-convection (at vertical mounting position)
Terminals	: 0,5 – 2,5 mm <sup>2</sup> , solid wire or litz wire with sleeve
Wire length	: max. 100 m
Own consumption	: approx. 3VA
Housing	: plastic for DIN rail systems
Dimensions	: WxHxD =105x83,5x65,5 mm
Weight	: approx. 400gr
Protective type	: IP 20
Contamination grade	: 2 (dry, non-conductive according IEC 664,10/92)
Requirements	: EMC met accord. to EN 61547 (04/96) Low-voltage met acc. to IEC 669-2-1 11/94

## Dimensional Drawing NS4-S



Control plates : see pages 47/48

# Wiring diagram

AQ-Control with 4-pushbutton-function, type NS4-S

Order-No.: 50.13.113

## Auditorium dimming control, type NS 4-S with direct switching ON/OFF function

