

AQ-Control with 4 light level settings, **type NS4 WV-S**

for electronic ballasts and transformers with 1-10V interface

Order-No.: 50.13.116

The NS 4 WV-S controls up to 200 electronic ballasts or transformers with 1-10V interface. It has an autonomous power supply and is suitable for the control of 4 pushbuttons for the selection of 4 light levels and (optional) with 1 pushbutton ON/OFF with an external relay or contactor.

Setting of light levels

With 4 rotary potentiometers at the NS4WV-S 4 different light levels can be set. They are selected at a pushbutton panel with 4 or 5 pushbuttons (see pages 47/48)



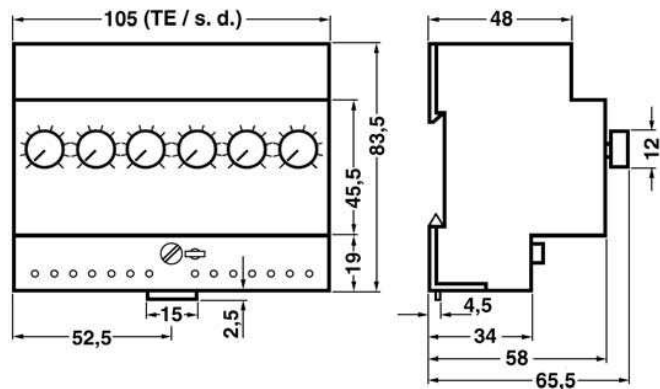
Fade time adjustment

With the potentiometers ‚BRIGHTER‘ or ‚DARKER‘ at the NS4WV-S the fade times are being set between 3 and 60 secs.

Technical data:

Characterization	Auditorium dimming control type NS4WV-S
Type	: NS4WV-S
Order-no.	: 50.13.116
Operational voltage	: 230V, 50/60 Hz
output voltage	: 1...10V No protective low-voltage (Basic isolation acc. to IEC 664,10/92)
max. Output current	: approx. 200mA
Protection	: external 6 A
Ambient temperature	: max. 45°C with natural air-convection (at vertical mounting position)
Terminals	: 0,5 – 2,5 mm ² , solid wire or litz wire with sleeve
Wire length	: max. 100 m
Own consumption	: approx. 3VA
Housing	: plastic for DIN rail systems
Dimensions	: WxHxD =105x83,5x65,5 mm
Weight	: approx. 400gr
Protective type	: IP 20
Contamination grade	: 2 (dry, non-conductive according IEC 664,10/92)
Requirements	: EMC met accord. to EN 61547 (04/96) Low-voltage met acc. to IEC 669-2-1 11/94

Dimensional Drawing NS4WV-S



Control plates: see pages 47/48

Wiring diagram

AQ-Control with 4 light level settings, type NS4WV-S
for electronic ballasts and transformers with 1-10V interface

Order-No.: 50.13.116

