

AQ-Control, type NS2-SX

Auditorium control with direct switching ON/OFF

Order-No.: 50.13.130

The auditorium control type NS2-SX is suitable for the common control of up to 200 electronic ballasts or transformers with 1-10V interface with the following functions:

- 1 x BRIGHTER (lighting goes into its brightest level)
- 1 x DARKER (lighting goes to 0)
- 1 x ON/OFF (details see below)

After release of the pushbutton Brighter or Darker the respective light level is stored. It is achieved again after switching ON. The output voltage can be adjusted between minimum and maximum with 2 potentiometers at the module, such allowing a limitation of the maximum- and minimum light levels.

The 4 rotary potentiometers at the module have the following functions:

- 1 x setting of the maximum brightness not to be exceeded
- 1 x setting of the minimum brightness
- 1 x Fade time ‚BRIGHT‘ (3 - 60 secs between the darkest and brightest level)
- 1 x Fade time ‚DARK‘ (3 - 60 secs between the brightest and darkest level)



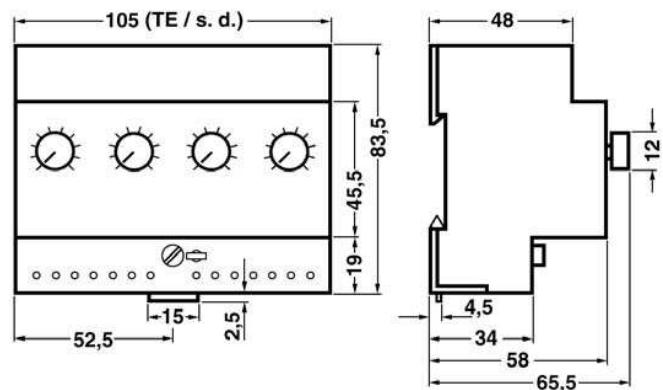
ON/OFF switch

A latching relay with voltage-free normally open contact being integrated in the dimmer switches a maximum of 10 A/250V. For higher loads external contactors or relays have to be connected. Lighting is switched ON at the last set light level. If during the ‚OFF‘ state the buttons ‚BRIGHTER‘ or ‚DARKER‘ are pressed, the light level changes after the switch ON accordingly.

Technical data:

Characterization	Auditorium dimming control type NS2-SX
Type	: NS2-SX
Order-no.	: 50.13.130
Operational voltage	: 230V, 50/60 Hz
output voltage	: 0...10V, galvanic disconnection No protective low-voltage (Basic isolation acc. to IEC 664,10/92)
max. Output current	: max. 200mA
switching contact	: with integrated latching relay max.10A/250V
Protection	: external 6 A
Ambient temperature	: max. 45°C with natural air-convection (at vertical mounting position)
Terminals	: 0,5 – 2,5 mm ² , solid wire or litz wire with sleeve
Wire length	: max. 100 m
Own consumption	: approx. 3VA
Housing	: plastic for DIN rail systems
Dimensions	: WxHxD =105x83,5x65,5 mm
Weight	: approx. 400gr
Protective type	: IP 20
Contamination grade	: 2 (dry, non-conductive according IEC 664,10/92)
Requirements	: EMC met accord. to EN 61547 (04/96) Low-voltage met acc. to IEC 669-2-1 11/94

Dimensional Drawing NS2-SX



Control plates: see page 47

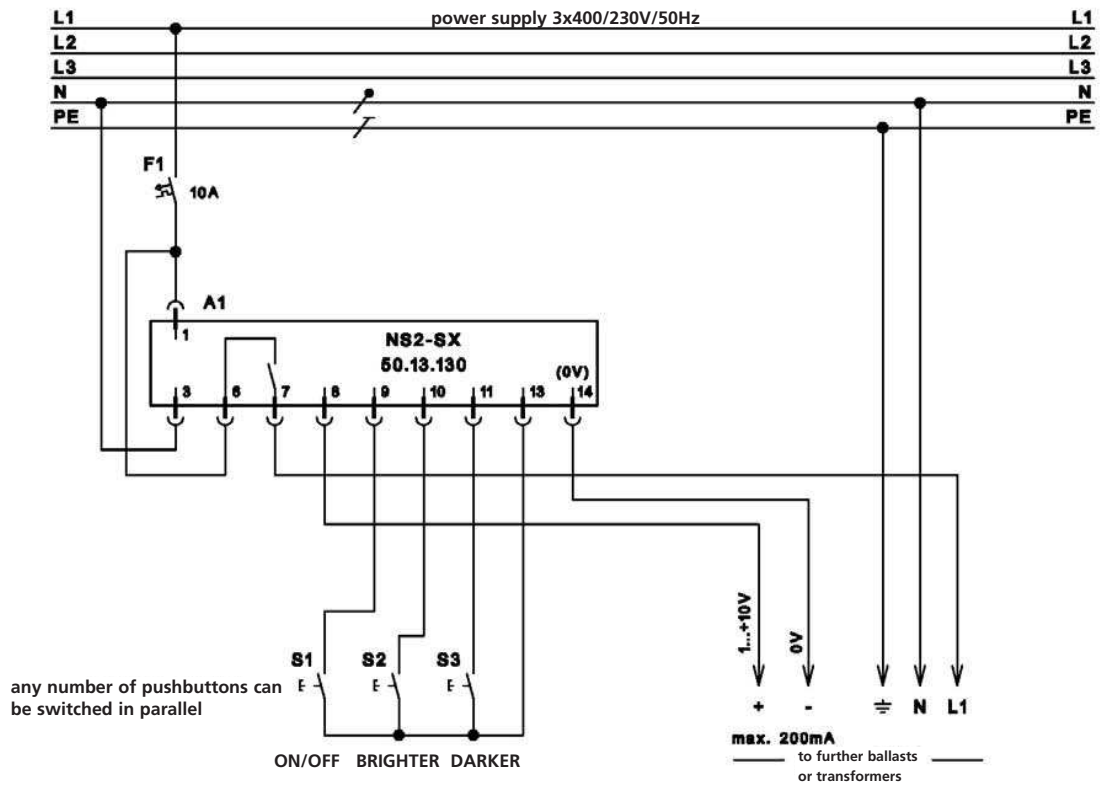
Wiring diagrams

AQ-Control with 2-pushbutton-function and direct switching

Order-no.: 50.13.130

ON/OFF, type NS2-SX for electronic ballasts and transformers with 1-10V interface

Auditorium dimming control, type NS 2-SX with ON/OFF function



Auditorium dimming control, type NS 2-SX with ON/OFF function through an external contactor

