

Constant Light control, type AQAD-S

For electronic ballasts and transformers with 1-10 V interface as well as for a maximum of 3 dimmers with 0-10 V interface with smooth adjustment of the artificial light to the daylight (with ON/OFF switch)

Order-No.: 50.14.116

This DIN rail module has an autonomous current supply. It adjusts the artificial light smoothly to the daylight: At the same volume as daylight decreases, artificial light increases (and vice versa).

A light sensor (see page 59) acquires a mixed light level of artificial and daylight at a reference place and continuously transmits it to the AQAD-S control. It is recommended to mount the sensor at a side wall in a height of approximately 3 m, turned downwards. In sports halls the sensor should be protected by a basket. The light level to be kept constant alternatively can be set with a potentiometer at the AQAD-S or with a remote potentiometer (type DPUT-S).



The control transmits its values after a delay time of 10 – 60 secs. (dependent on the control difference) to the electronic ballasts. Exceeds the daylight portion the set light level at the reference place of the sensor the AQAD-S control switches the lighting OFF after a delay time of 2 – 4 min (again in dependence of the control difference), directly via a 10 A switch relay or (at higher loads) via a voltage free contact with a separate contactor or relay. It switches ON again as soon as the daylight falls below the set light level. The delay time is fixed at works.

Switch ON interlock

The automatic switch ON can be prevented by operating the 'switch interlock ON' at the AQAD-S control. In this case lighting can be controlled just manually.

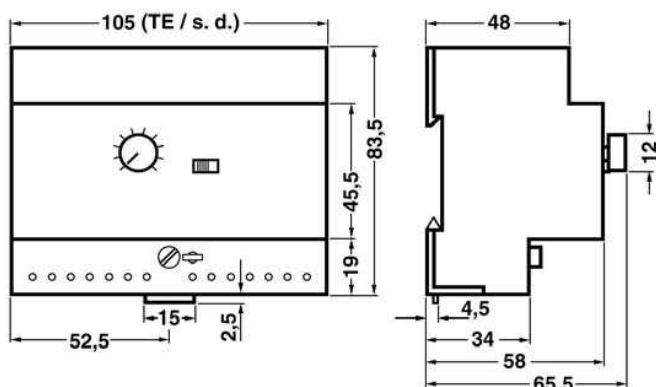
External setting of light levels to be kept constant with the potentiometer type DPUT-S

The light level to be kept constant can also be set at an external potentiometer by selecting a maximum limit value. The same potentiometer also can be used for the manual dimming between maximum and minimum. It has an integrated ON/OFF pushbutton.

Technical data:

Characterization	Constant light control Type AQAD-S
Type	: AQAD-S
Order-no.	: 50.14.116
Power supply	: 230V, 50/60 Hz
Output voltage	: 1 -10V galvanic separated No protective low-voltage (Basic isolation according to IEC 664,10/92)
max. output current	: 200mA
Switch capacity	: 10 A
Protection	: external 6 A
Ambient temperature	: max. 45°C with natural air-convection (at vertical mounting position)
Terminals	: 0,5 – 2,5 mm ² , solid wire or litz wire with sleeve
Wire length	: max. 100 m
Own consumption	: approx. 5VA
Housing	: plastic for DIN rail systems
Dimensions	: WxHxD = 105x83,5x65,5 mm
Weight	: approx. 400gr
Protective type	: IP 20
Contamination grade	: 2 (dry, non-conductive according IEC 664,10/92)
Requirements	: EMC met accord. to EN 61547 4/96 Low-voltage met acc. to IEC 669-2-1 11/94
Accessory	: 1 light sensor (see page 59)
Option	: external rotary potentiometer with integrated ON/OFF pushbutton for setting the light level to be kept constant and for a manual light operation with an interface of 1-10V.

Dimensional drawing AQAD-S

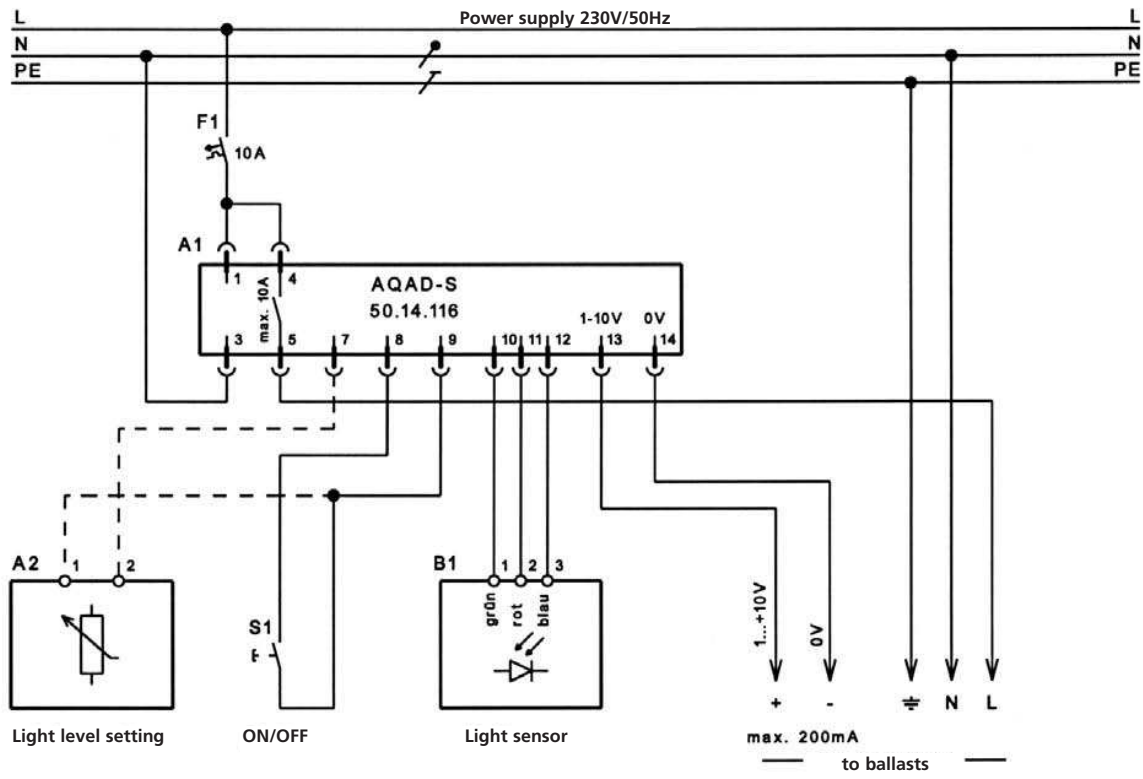


Wiring diagrams

Constant light control, AQAD-S

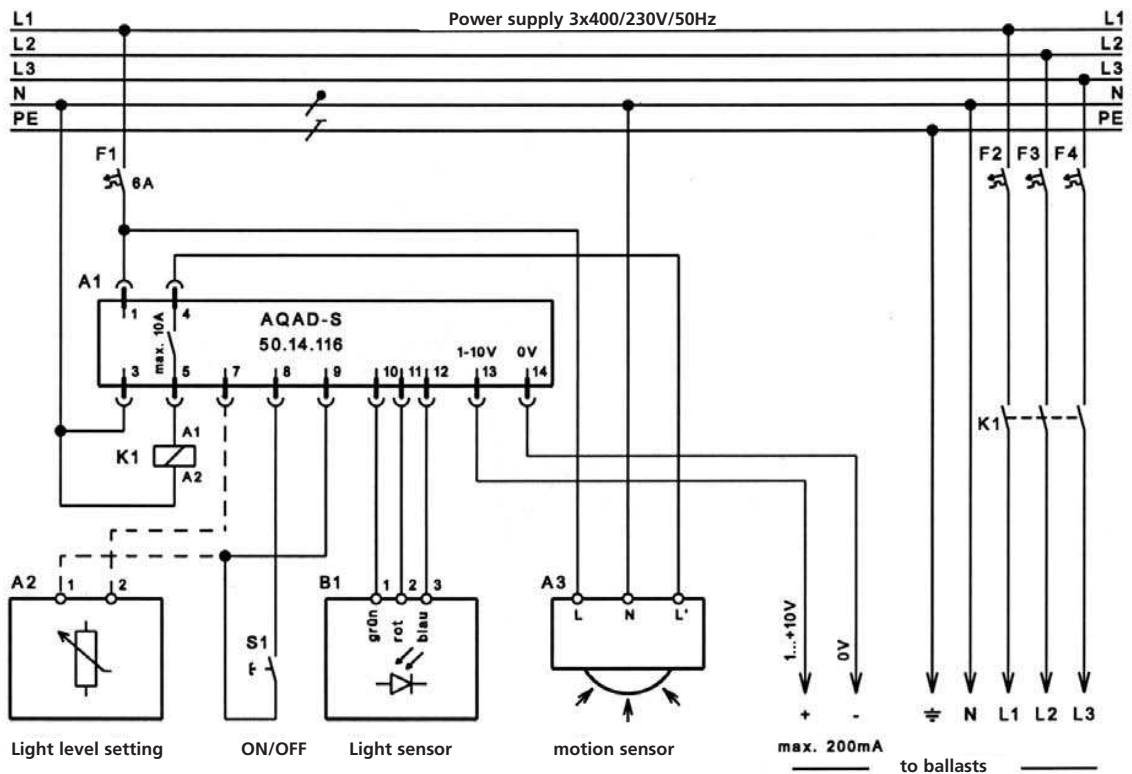
Order-No.:50.14.116

Constant light control, type AQAD-S



e.g. Type DPUT-S

Constant light control, type AQAD-S with motion sensor and contactor for a higher switch capacity



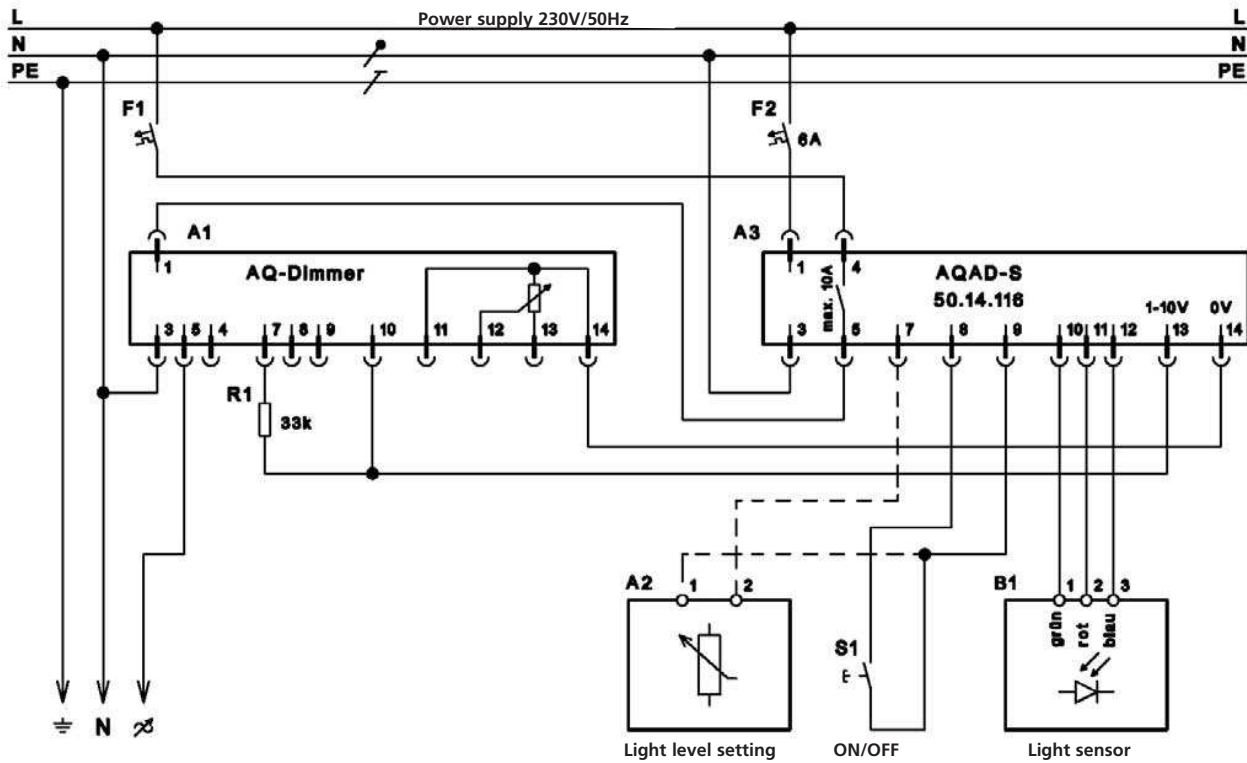
e.g. Type DPUT-S

Wiring diagrams

Constant light control, AQAD-S

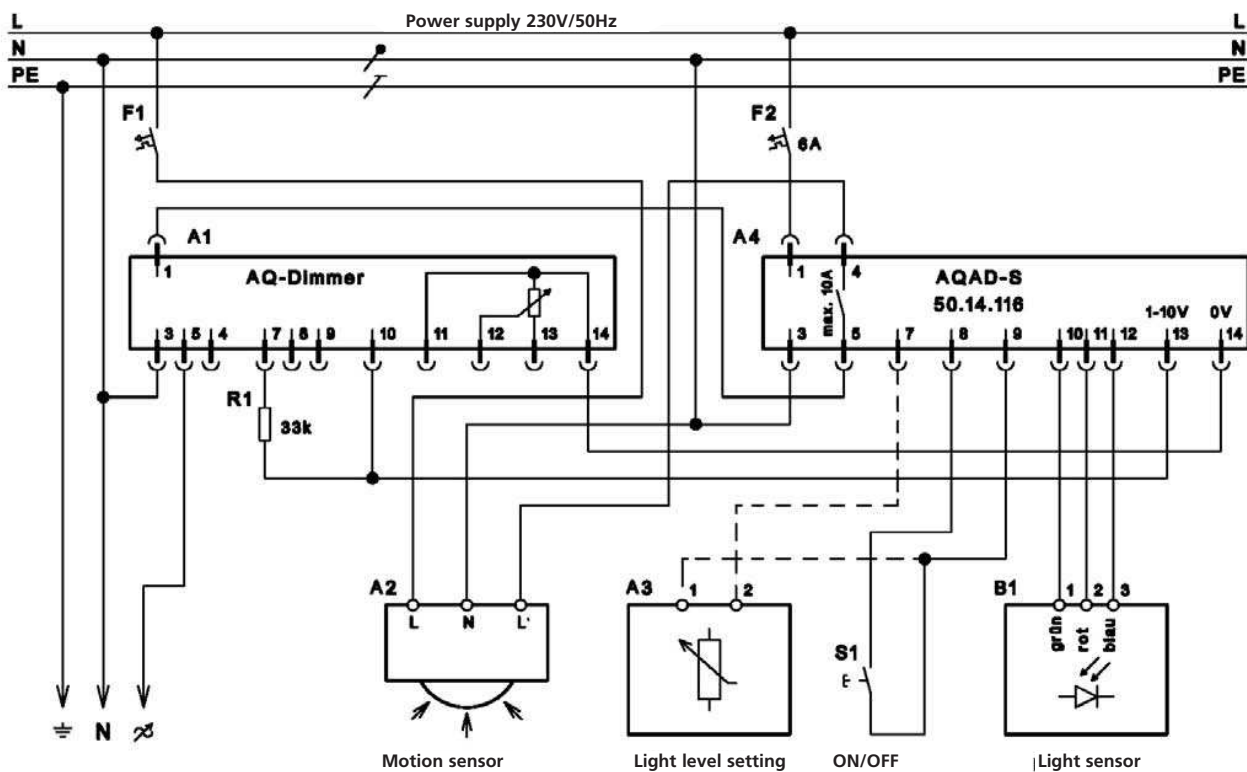
Order-No. 50.14.116

Constant light control, type AQAD-S in combination with AQ-dimmers



e.g.Type DPUT-S

Constant light control, type AQAD-S in combination with AQ-dimmers and motion sensor



e.g.Type DPUT-S