



**ALTENBURGER**

ELECTRONIC GMBH

# AQStation Switch

Typ: AQS Switch 3x 10A

Order-No.: 90.10.000

LAN/Wi-Fi-based-control

Manual



# 1 Safety and installation instructions



- Before installation, read the user manual thoroughly and keep it for future reference.
- The device may be installed and put into operation by qualified electricians only.
- Any maintenance works involving the device, wiring and replacing lamps may be done only with the power off.
- To do the wiring, loosen the seal screw and remove the device from the housing base.
- Wire the device terminals according to the wiring diagram and the imprint.
- The device must be snap fitted onto the relevant DIN rail.
- It may be operated only in a horizontal position (with terminal clamps at the bottom).
- The device must be installed through rail mounting or switch cabinets.
- Any applicable safety regulations must be complied with.
- The device may not be disassembled nor operated without the housing or the housing base. You will lose your warranty if you improperly handle or disassemble the device.
- The device generates heat and must be sufficiently ventilated.
- The device may be operated only in dry, closed rooms at a temperature of 0°C to 35°C.
- In the "OFF" mode, the load is separated through the  $\mu$  contact.
- You may not connect the outputs of multiple AQStation devices.
- Do not rely exclusively on the App's status confirmations as these might differ from the actual status.

## 2 Function

The AQStation Switch is a LAN/Wi-Fi-based control device with volt-free relays for three circuits. Each circuit has a 10A volt-free relay output. These outputs are designed to switch electronic devices of all kinds up to 10A. The three circuits are independently controllable. The home LAN/Wi-Fi is used as a bus system. This enables the use of off-the-shelf smartphones and tablet computers running on Android or iOS to control and visualise AQStation devices. The AQStation Switch 3x 10A can be controlled with its integrated push-button panel, peripheral push-button panels or the relevant AQStation App. For more information about the visualisation, scenes, groups and timer functions, see the AQStation App description available from [www.altenburger.de](http://www.altenburger.de) or [www.aqstation.de](http://www.aqstation.de).

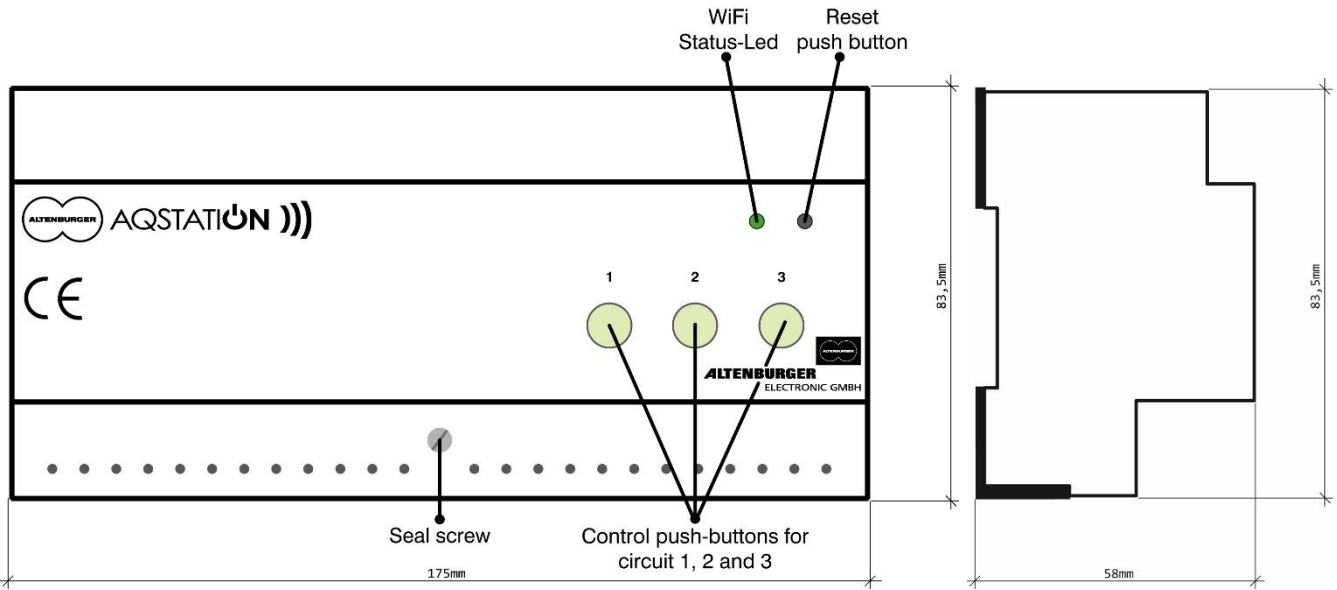
## 3 Switching on/off

In the "OFF" mode, the load is cut off through relays ( $\mu$  load contact).

## 4 Connectible loads

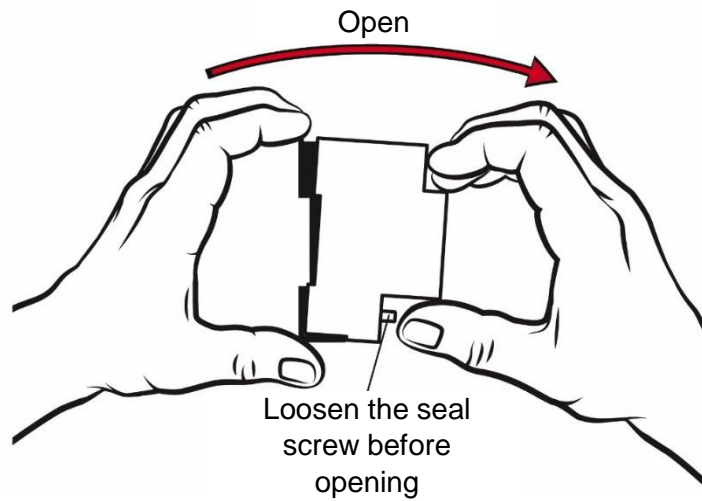
At ohmic load, a switching capacity of 10A can be used. Otherwise  $\cos \varphi$  is taken into account.

# 5 Overview



# 6 Casing

Loosen the seal screw, grasp the device with both hands and open it as demonstrated on the picture below.

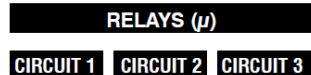
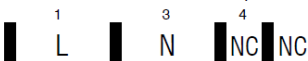


# 7 Wiring diagram

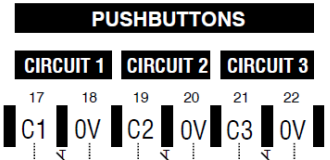
**ALTEBURGER**  
ELECTRONIC GMBH

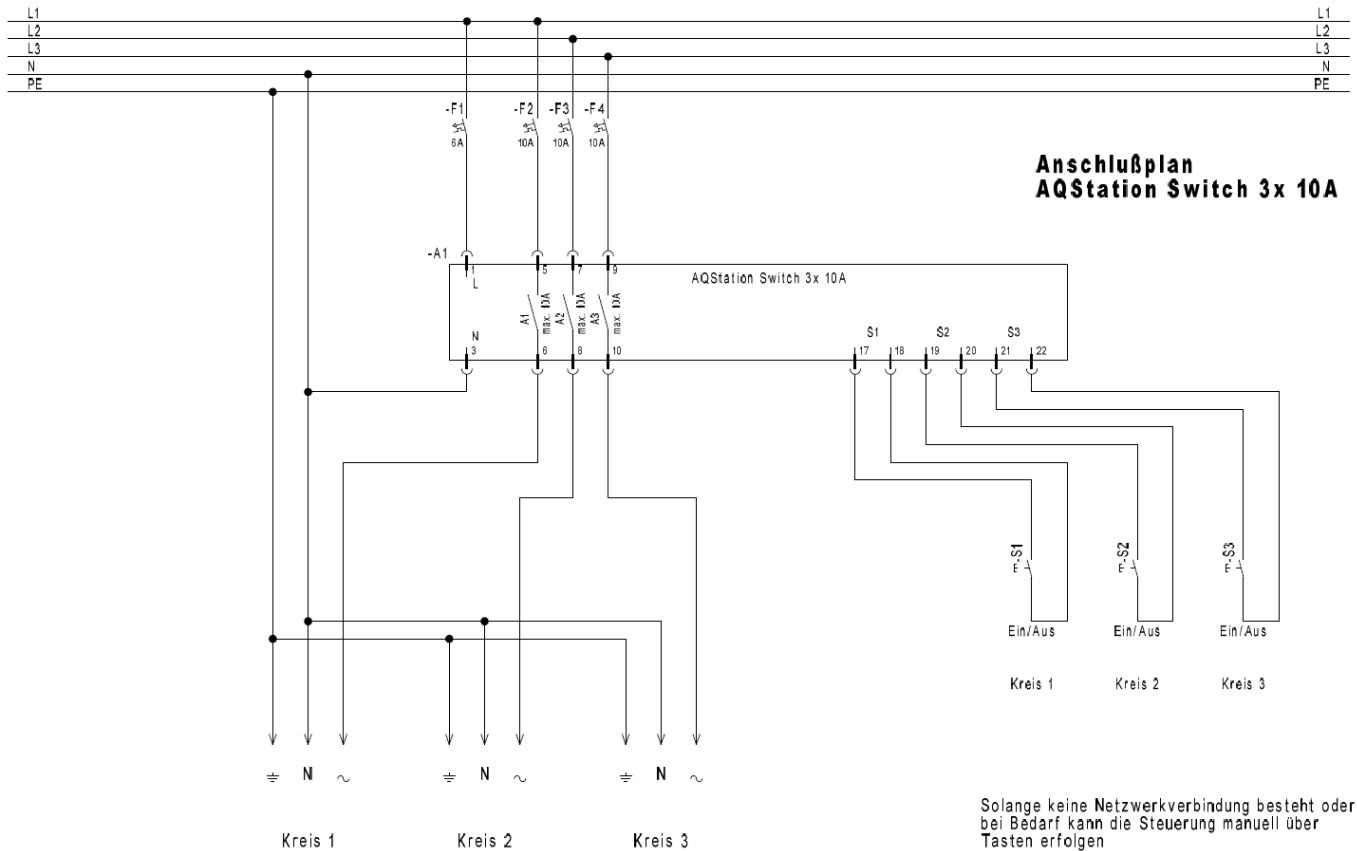
Type: AQStation Switch 3x 10A  
Order-no.: 90.10.000

230V~ 50/60Hz max 10A ( $\mu$ )



The NC labeled terminal must not be connected!  
Terminal 1 must not be used for looping!





## 8 Technical data

|                         |   |
|-------------------------|---|
| Designation             | AQStation Switch 3x10A  |
| Type                    | AQS Switch 3x10A  |
| Order Number            | 90.10.000   |
| Supply Voltage          | 110V-240V AC 50/60HZ, DC not allowed  |
| Protection              | external 6A, internal microfuse   |
| Mounting form           | DIN rail housing  |
| Dimensions, weight      | WxHxD=175 x 83.5 x 58 mm (10 TE), approx. 200 gr.   |
| Internal displays       | 1x green LED (Wi-Fi mode)<br>3x green LED (switch mode) at control keys                                     |
| Internal controls       | 3x push-buttons for the manual control (on/off)<br>1x reset push-button (factory settings, including Wi-Fi) |
| Wi-Fi                   | 2.4 GHz 802.11n   |
| LAN                     | RJ45, 100-MBit-Ethernet (Fast Ethernet)   |
| Operating temperature   | 0°C ... +35°C   |
| Power input             | < 2 W   |
| Protection class        | II (protective isolation)   |
| Protection category     | IP 20   |
| Degree of contamination | 2 (dry non-conductive)  |
| Load contact (μ)        | 3x max. 10A at 230V ohmic load  |
| Qualification           | CE, RoHS, WEEE  |

## 9 Quick start

1. Download the AQStation App from the store of your choice and install the application.
2. Provide the AQStation devices with power supply through rail mounting. Wait up to one minute until the control push-buttons light up.
3. Connect your smartphone / tablet computer to the AQStation Wi-Fi. Wi-Fi Name: „AQStationNewDevice...“.
4. Start the AQStation App.
5. Select type of network (LAN or Wi-Fi).
6. Select your Wi-Fi network and provide the network password (key).
7. The AQ Station device needs about two minutes to load the settings. In the meantime, connect your smartphone / tablet computer again to the Wi-Fi.
8. After about two minutes, the new AQStation device will appear in the AQStation App.

## 10 Initialization

**Please note that this AQStation device may only be installed and put into operation by qualified electricians.**

1. Download the AQStation App from App Store or Google Play Store. Search term: AQStation
2. Provide the AQStation devices with power supply through rail mounting. (initialise the AQStation devices one by one, **NOT** all of them at the same time)
3. Make sure that your router as well as smartphone / tablet computer and the AQStation device receive the Wi-Fi signal or connect the AQStation devices by cable to the LAN network.
4. The start-up takes up to two minutes. As soon as the Wi-Fi status LED starts to blink, you can initialise "AQStationNewDevice...".
5. Go to the settings menu of your smartphone / tablet computer, select Wi-Fi settings and connect your smartphone / tablet computer to the "AQStationNewDevice..." Wi-Fi.
6. Make sure that you are connected to the "AQStationNewDevice..." network.
7. Start the AQStation App.
8. A message window will appear to guide you through the operation of the AQStation device. Read the instructions carefully. To close the message window, choose "OK".
9. To connect your AQStation device to your network:
  - Choose Wi-Fi or LAN (LAN is for rail-mounted devices only).
  - Choose the network in which you want to use your AQStation device.
  - Provide the password for the Wi-Fi you have selected.
  - Confirm entry with the keypad and push the "Save" push-button.If the Wi-Fi of your choice does not show up, run the network search again.
10. The AQStation device is now establishing connection with your Wi-Fi. This can take up to two minutes. Do not disconnect the AQStation device from power supply. Do not interrupt the network connection.
11. Go to the settings menu of your smartphone / tablet computer, select Wi-Fi settings and connect your smartphone / tablet computer to your Wi-Fi.
12. Start the AQStation App.
13. After a successful initialisation, your AQStation device will appear automatically in the App.
14. If the software does not recognise or show the AQStation device after about two minutes, check whether your smartphone / tablet computer is connected to the right Wi-Fi. Restart the App, if necessary. Should these measures fail, restore your AQStation device to factory settings and re-initialise.

## 11 Create the building structure

1. By pressing the arrow located on the right side of the entry of your AQStation device, you access the settings.
2. A new window called "Settings" opens. Here you can change the name of the device and assign the AQStation device symbol. Under the display "building", you can assign the AQStation device a building, a floor and a room.
3. After saving the settings the window closes and the app returns to the main view. There now, the building structure is displayed.

## 12 Navigation in the building structure

Press on the name of the entry to get to the floors. From the floors to access the rooms. At this location there is the entry of the AQStation device. Use the Back function (Android up arrow, iOS left arrow) to enter a back level of the building structure.

## 13 Operation of AQStation devices

On the entries of the AQStation devices there are more controls than the arrow that leads to the settings.

- Left on entry to the AQStation device is the symbol displayed that was previously selected in the settings of the device. By clicking on this icon the AQStation device is switched on or off. Is the AQStation device active the symbol is colored blue.
- At the AQStation Switch there is on the right side addition ON or OFF. At AQStation Dimmer the percentage of the currently set brightness value appears.
- AQStation Dimmer additionally have a slider for setting the brightness value.

## 14 Groups

Groups are used to collectively control (dimming, turning on and off, activating a scene) multiple devices. The groups are arranged in a couple of simple steps in the AQStation App. Each group can have its timer functions. Each device can be assigned to multiple groups.

The following groups are available:

### **On/Off Group**

In the on/off group, multiple devices are turned on and off together. Dimmable (0% - 100%) and switchable devices can be integrated into an on/off group. As an option, you can set automatic turn-off times for individual devices in the group.

### **Dimmable Group**

The dimmable group devices are controlled together. Dimmable devices can be assigned to this group.

### **Scene**

In a scene, all values of the devices integrated into the scene can be recorded, accessed and re-configured. Devices can be integrated into multiple scenes.

### **Creating a group:**

1. Groups are created in device settings. In the settings menu, scroll down until you see "Add group" and choose this option.
2. A new window with group settings will appear.
3. Create a new group or choose an existing group.
4. Choose "New Group".
5. Assign a name to the group and choose the building, floor and the room in which you want to save it.
6. Next, choose the group type (On/Off, Dimmable or Scene).
7. Depending on the group type, you can, for instance, set brightness values, fade times, etc.
8. Save the settings. Add new devices to the group following the same procedure. However, instead of creating a "New Group", choose the "Existing Group" option and select an already created group.

## 15 Timer

You can create Timer for every single device or for groups. The procedure is always the same.

1. Open in the settings of the device or the group. Scroll down to "Create Timer" and select.
2. A new window pops up with timer-settings.
3. Designate the timer. Select the time at which the switched device or the group to run.
4. Under setting-mode you can decide if the timer is single, repeated or inactive.
5. Select the weekdays on which the timer is to be active.
6. Depending on the type of device allows you to set an initial value (not groups).
7. Select SAVE to fix the settings.

Timer are displayed in the settings of devices and groups. An overview of all started timer can be found in "General Settings". Timer operation requires a timer in the system. Each initialized smartphone or tablet can be used as a timer. In general settings you can share your smartphone / tablet as a device for time synchronization.

## 16 App Settings

Use the cogwheel icon (main view, bottom left) to go to General Settings. There, you can manage all the App's settings. This menu also provides an overview of all existing devices, building structures, applications and timers. You can also use the menu to manage the software updates of your AQStation devices.

## 17 Factory settings

To make a factory reset of the AQStation device, press the reset switch for about 10 seconds with a thin pointed object (e.g. a ball pen refill). Do not disconnect the device; it takes the device 2 minutes to restart. After the restart, the AQStation device is restored to its factory settings. The previously saved functions (timers, groups, scenes, etc.) are deleted and cannot be recovered.

**For more information, visit  
[www.altenburger.de](http://www.altenburger.de) or [www.aqstation.de](http://www.aqstation.de)**

**ALTENBURGER ELECTRONIC GMBH**

Schloßweg 5  
77960 Seelbach

Phone: +49 7823 5090  
Fax: +49 7823 50997

[info@altenburger.de](mailto:info@altenburger.de)  
<http://www.altenburger.de>  
<http://www.aqstation.de>

All rights reserved. It is possible that this manual has undergone pressure technical defects or typographical errors. The content of this manual are regularly checked and corrections made in the next issue. For technical or printing error type and its consequences, we assume no liability. Changes in the sense of technical progress can be made without notice.