

Datasheet

AQStation Universal

Typ: AQS Universal

Order.- No.: 90.10.200



ALTENBURGER

ELECTRONIC GMBH

1 Function

The AQStation Universal is a LAN/Wi-Fi-based control device for three circuits. Each circuit has a combination interface (0-10 V + 3mA / 1-10V - 100mA) and a 10A volt-free relay output. The three circuits are independently controllable. The in-house LAN/Wi-Fi is used as a bus system. This enables the use of off-the-shelf smartphones and tablet computers running on Android or iOS to control and visualise AQStation devices. The combination interface is suitable for the control of all ALTOQUICK load dimmers, the DALI converter DC NV and all off-the-shelf ECGs with 1-10 V interface.



The AQStation Universal can be controlled with its integrated keypad, peripheral push-button panels or the relevant AQStation App. For more information about the visualisation, scenes, groups and timer functions, see the AQStation App description available from www.altenburger.de or www.aqstation.de.

2 Dimming, turning on/off

In the "OFF" mode, the load is disconnected through relays (μ load contact, function separation).

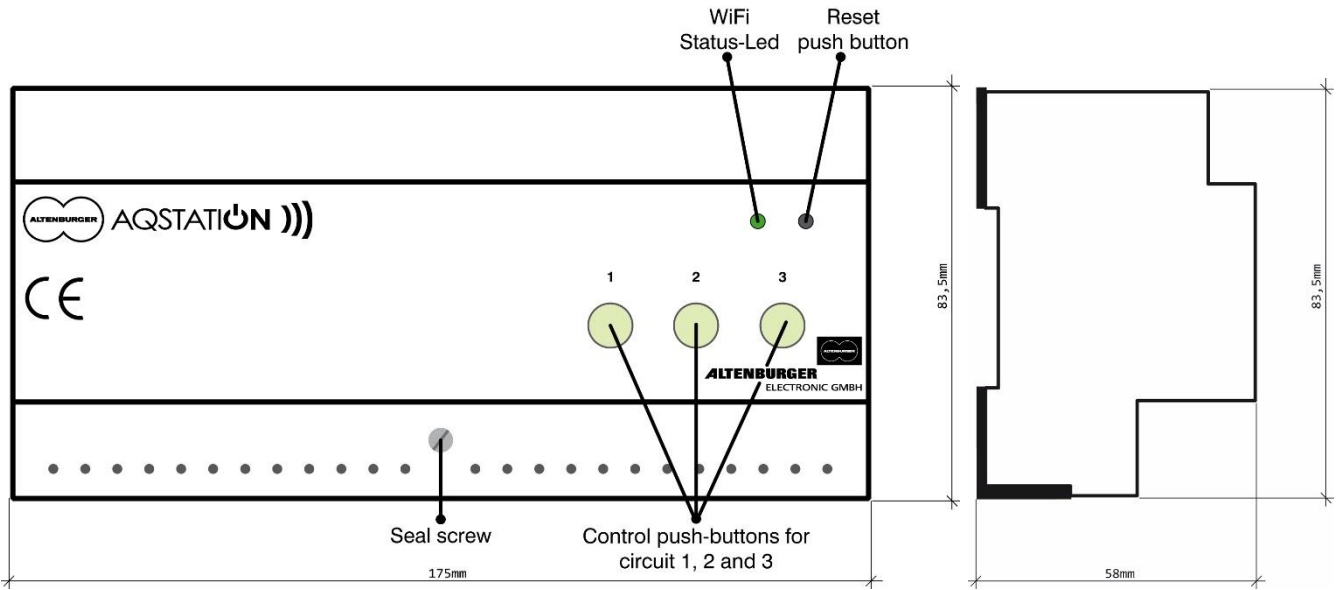
In the "OFF" mode, the 0-10 V/1-10 V interface goes dark (0 or 1V).

Using the App and the control keys, you can adjust the interfaces between 0 and 100%. The control push-buttons have the following functions: On/Off/Brighter/Darker

3 Connectible loads

At ohmic load, a switching capacity of 10A can be used. Otherwise $\cos \varphi$ is taken into account.

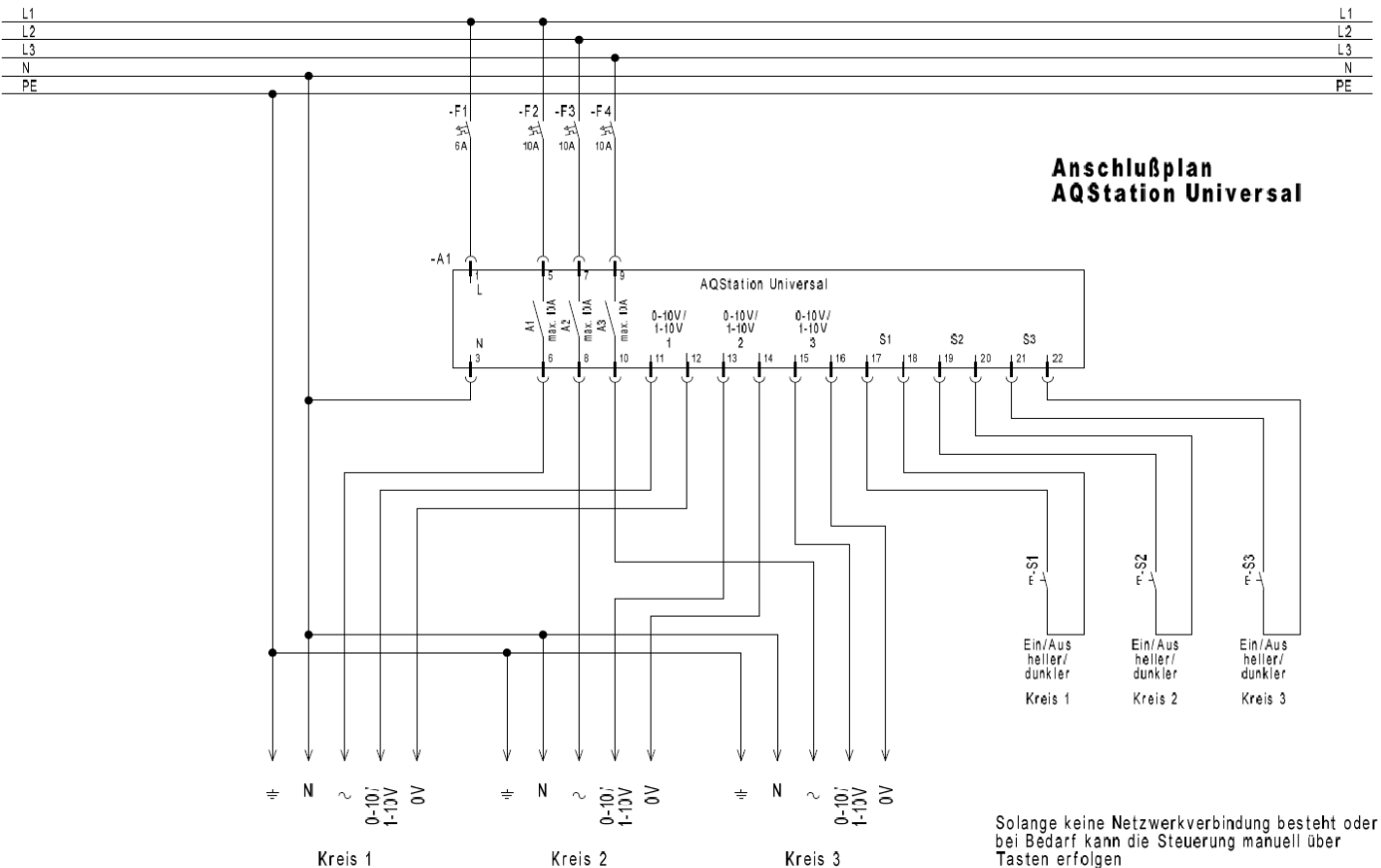
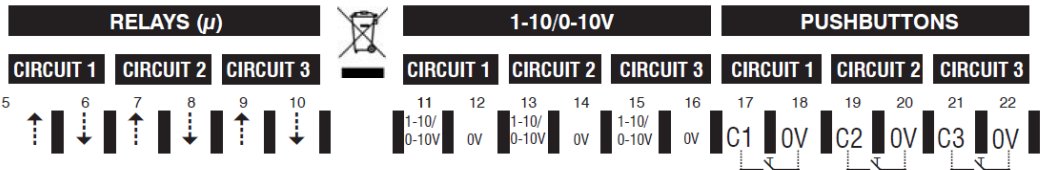
4 Overview



5 Wiring diagram

ALTEBURGER
ELECTRONIC GMBH
Type: AQStation Universal
Order-no.: 90.10.200
230V~ 50/60Hz max 10A (μ)

The NC labeled terminal must not be connected!
Terminal 1 must not be used for looping!



6 Technical data

Designation	AQStation Universal
Type	AQS Universal
Order Number	90.10.200
Supply Voltage	110V-240V AC 50/60HZ, DC not allowed
Protection	external 6A, internal microfuse
Mounting form	DIN rail housing
Dimensions, weight	WxHxD=175 x 83.5 x 58 mm, approx. 200 gr.
Internal displays	1x green LED (Wi-Fi mode) 3x green LED (switch mode) on control push-buttons
Internal controls	3x push-buttons for the manual control (on/off) 1x reset push-button (factory settings, including Wi-Fi)
Wi-Fi	2.4 GHz 802.11n
LAN	RJ45, 100-MBit-Ethernet (Fast Ethernet)
Operating temperature	0°C ... +35°C
Power consumption	< 2 W
Protection class	II (protective isolation)
Protection category	IP 20
Degree of contamination	2 (dry non-conductive)
Load contact (μ)	3x max. 10A at 230V ohmic load
Interface	3 x combination interface 0-10V + 3mA/1-10V - 100mA
Qualification	CE, RoHS, WEEE

ALTENBURGER ELECTRONIC GMBH

Schloßweg 5
77960 Seelbach

Phone: +49 7823 5090
Fax +49 7823 50997

info@altenburger.de
<http://www.altenburger.de>
<http://www.aqstation.de>

All rights reserved. It is possible that this datasheet has undergone pressure technical defects or typographical errors. The content of this manual are regularly checked and corrections made in the next issue. For technical or printing error type and its consequences, we assume no liability. Changes in the sense of technical progress can be made without notice.